

ATL-500 LOW PROFILE AUTOMATIC VEHICLE RESTRAINT



FEATURE SUMMARY

- Non-Impact Design
- Barrier Stores 9" High to Escape Impact From Low Rear Impact Guards
- Barrier Sensor With Alarm Communicates Postive Lock Position
- HYDRA-FLOAT™ Barrier Automatically Adjusts to Truck Movement During Loading
- Vertical Locking Hook Secures Virtually All Rear Impact Guards With In Excess of 32,000 lbs. of Restraining Force
- Simple Push Button Operation
- Solid State Controls
- NEMA 12 Panel Enclosure
- All Weather Zinc Plated Components for Superior Durability
- Vertical Operating Range From 9" to 30"
- Inside and Outside Communication Lights and Signs
- 5 Year Structural Warranty
- Virtually No Required Maintenance
- Housing Encloses Working Parts From Inclement Weather and Debris
- Self Cleaning Guide Track
- Mounting Force in Excess of 100,000 lbs.

SPECIFICATIONS

VEHICLE RESTRAINT SYSTEM

DESCRIPTION

The TRUCK-LOCK® Series of vehicle restraints improves safety with strength, convenience and reliability. The ATL-500 is a premium automatic unit designed to secure a truck at the loading dock by engaging the rear impact guard with a large barrier.

The housing/barrier combination is stored down and clear of incoming trucks while protecting working parts from weather and debris. A barrier mounted sensor provides positive communication that the rear impact guard is engaged.

The HYDRA-FLOAT™ barrier automatically adjusts to various truck heights and maintains position during loading. The operator easily activates and stores the barrier with a push of a button.

The low profile barrier stores at only 9" high and raises to 30" to restrain all types of rear impact guards.

OPERATION

The trailer is backed into position at the loading dock until contact is made with the dock bumpers. The driver then sets the brakes and chocks the wheels. The dock attendant pushes a control button, activating the barrier that rises in the vertical track until contacting the rear impact guard and securing the trailer to the loading dock.

The barrier provides a restraining force in excess of 32,000 lbs adjusting automatically to "trailer float" during loading and unloading ensuring trailer is fully restrained at all times.

The restraint monitors for abnormal conditions and will sound an alarm if the rear impact guard is not detected. Pushing the override button will silence the alarm and provide a caution signal inside. When loading/unloading is completed, attendant stores the barrier using the release button.

COMMUNICATION

Safety equipment includes flashing red or green inside and outside lights with operating instructions for the dock attendant, and an outside mounted sign with instructions for drivers.

WARRANTY

One-Year parts and labor warranty & Five-Year structural warranty from date of shipment.

Warranties subject to limitations on liability.

CONSTRUCTION

Enclosed barrier and housing design is a structural welded assembly constructed with dual reinforced 1/2" steel restraining arms and 1/2" steel enclosure panel.

The housing protects components from the affects of weather, dirt and debris.

Dual 1/2" steel reinforced vertical track is welded securely to a 3/8" thick wall mounting plate.

All structural components including the mounting plate, track, barrier, and lift arms are zinc plated for high corrosion resistance.

The barrier is provided with black and yellow warning labels. The control panel includes a power unit and solid state controls in a NEMA 12 enclosure with push buttons, alarm, operating instructions, and communication lights on the cover.

Power requirement is 120VAC, 3 amps.

INSTALLATION

All Nordock TRUCK-LOCK® ATL-500 vehicle restraints are factory assembled and tested.

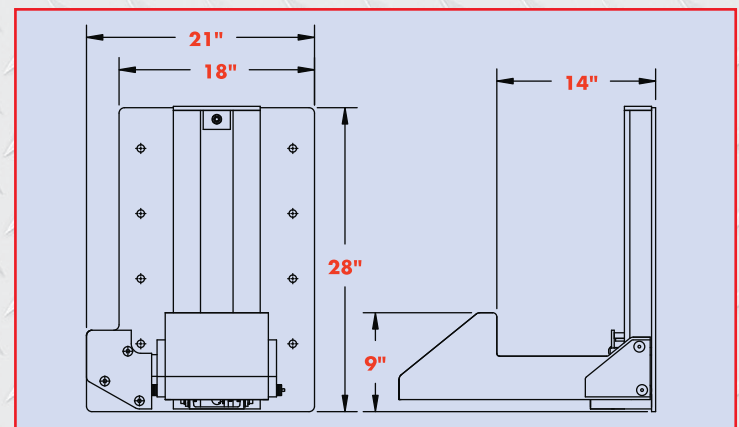
The restraint is mounted to the dock face by means of concrete wedge anchors and welding to the pit curb angle.

An alternate method is to weld the restraint to a dock face embedded steel plate.

Total mounting force is in excess of 100,000 lbs

Signs, control panel and optional components are installed in accordance to instructions provided in the owners manual.

DIMENSIONS



OPTIONS & ACCESSORIES

- Cantilever Extension Mounting Bracket
- Cast-In Wall Mounting Plate
- LED Lights
- Integrated Control Systems
- Keyed Override Switch